

# ARCHITECTURAL DRAFTING & DESIGN

---

Architectural Woodworking



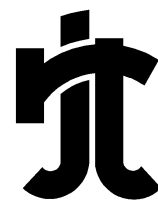
Cabinetry & Furniture



Stairs



Floor Plans



**RJT DESIGNS**

PO Box 541

Waterford, CT 06385

P: 860.514.0146 F: 203.286.2171

E: [cadservice@rjtdesigns.com](mailto:cadservice@rjtdesigns.com) W: [www.rjtdesigns.com](http://www.rjtdesigns.com)



This document is the property of RJT DESIGNS.  
No part of this work may be reproduced in any manner whatsoever  
without the prior written permission from RJT DESIGNS.



RJT DESIGNS

PO Box 541

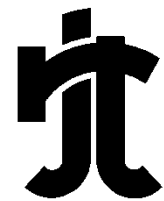
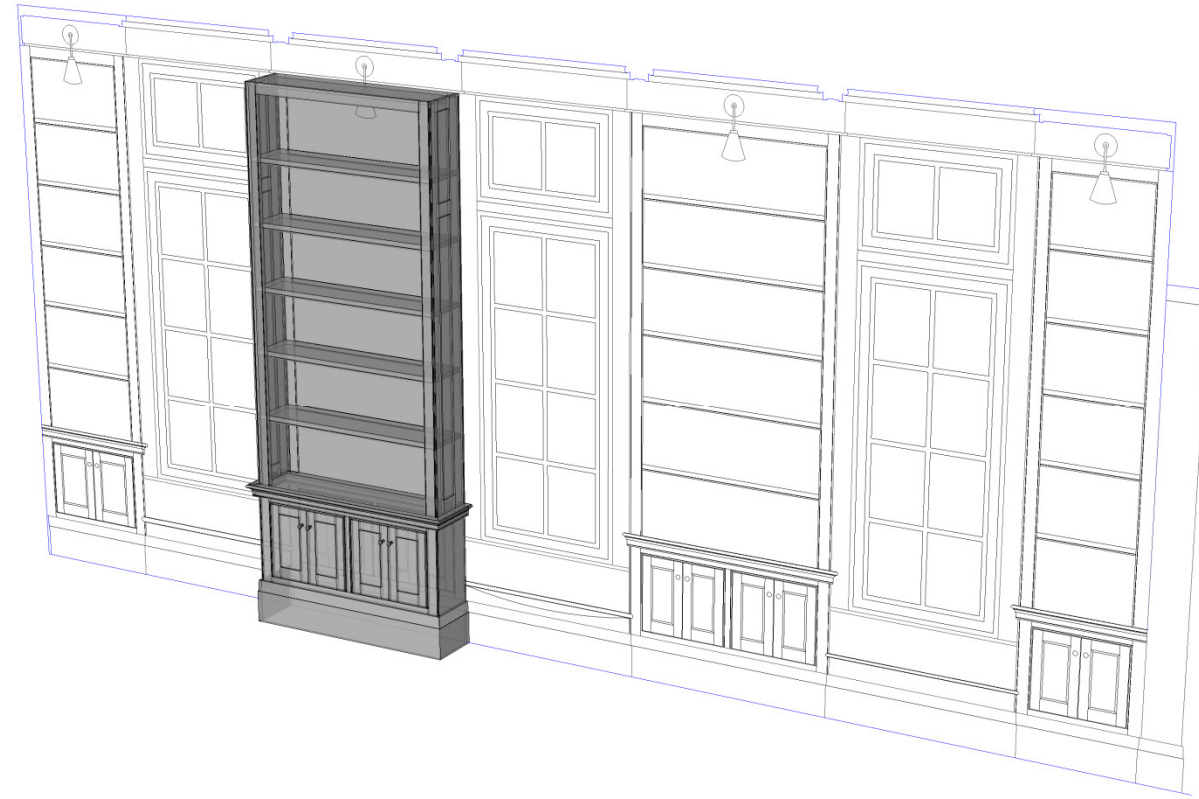
Waterford, CT 06385

P: 860.514.0146 F: 203.286.2171

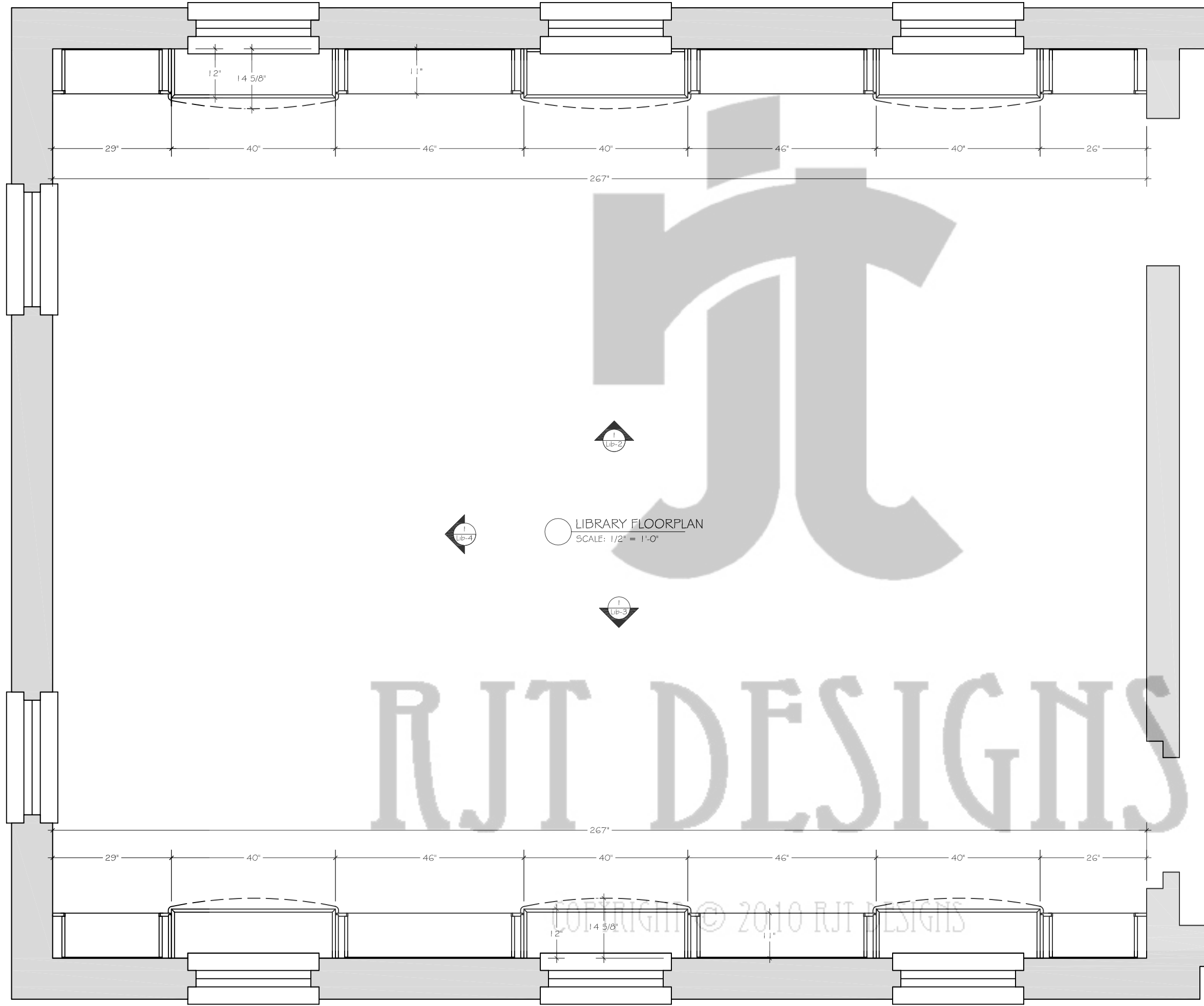
E: [cadservice@rjtdesigns.com](mailto:cadservice@rjtdesigns.com) W: [www.rjtdesigns.com](http://www.rjtdesigns.com)

# LIBRARY

---



RJT DESIGNS



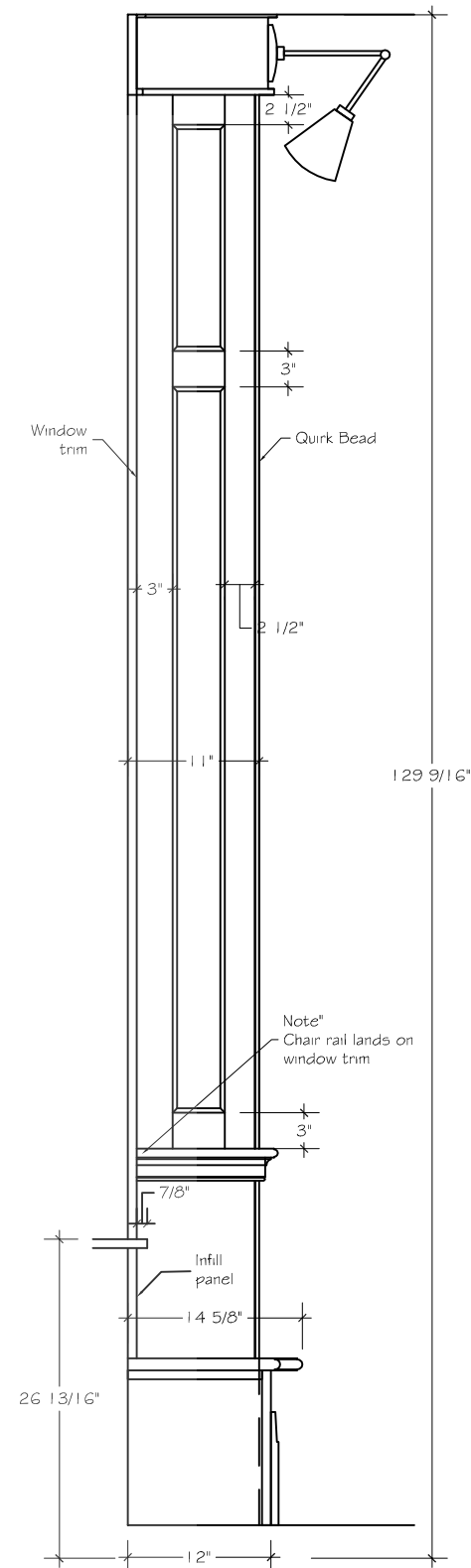
LIBRARY FLOORPLAN  
SCALE: 1/2" = 1'-0"

|   |  |
|---|--|
| <br>rjt designs<br>Architectural Drafting & Design |  |
| <b>Library<br/>Floorplan</b>  | Date: 1/10/08<br>Revised: 1/11/08<br>Lib-1 |
| 2   |  |

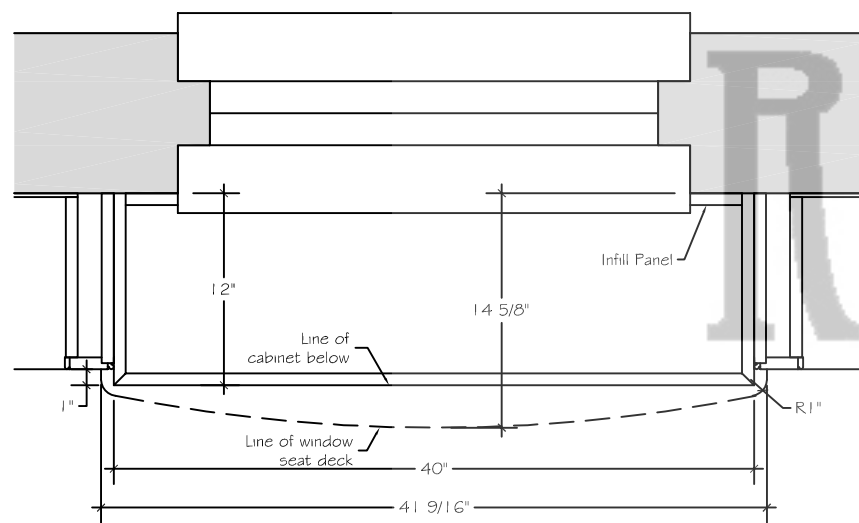




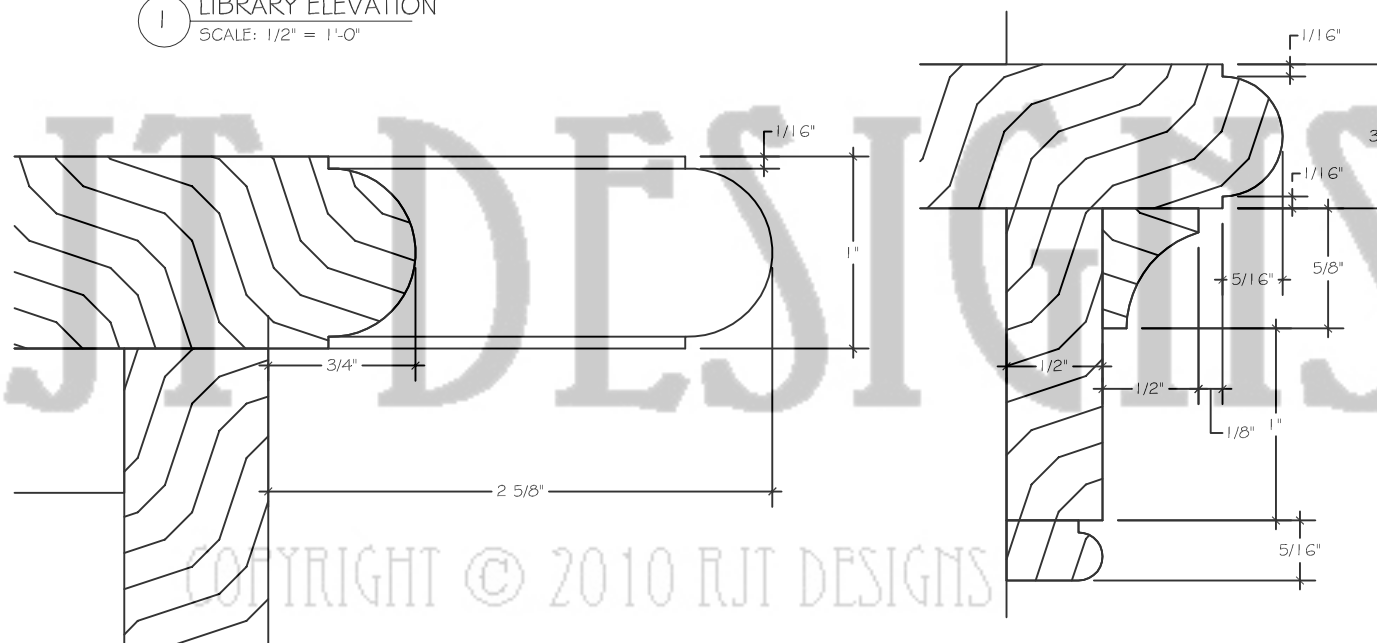
1 LIBRARY ELEVATION  
SCALE: 1/2" = 1'-0"



2 SECTION AT WINDOW SEAT  
SCALE: 3/4" = 1'-0"



3 PLAN AT WINDOW SEAT  
SCALE: 1" = 1'-0"



4 WINDOW SEAT DECK DETAIL  
SCALE: FULL

5 CABINET NOSING DETAIL  
SCALE: FULL



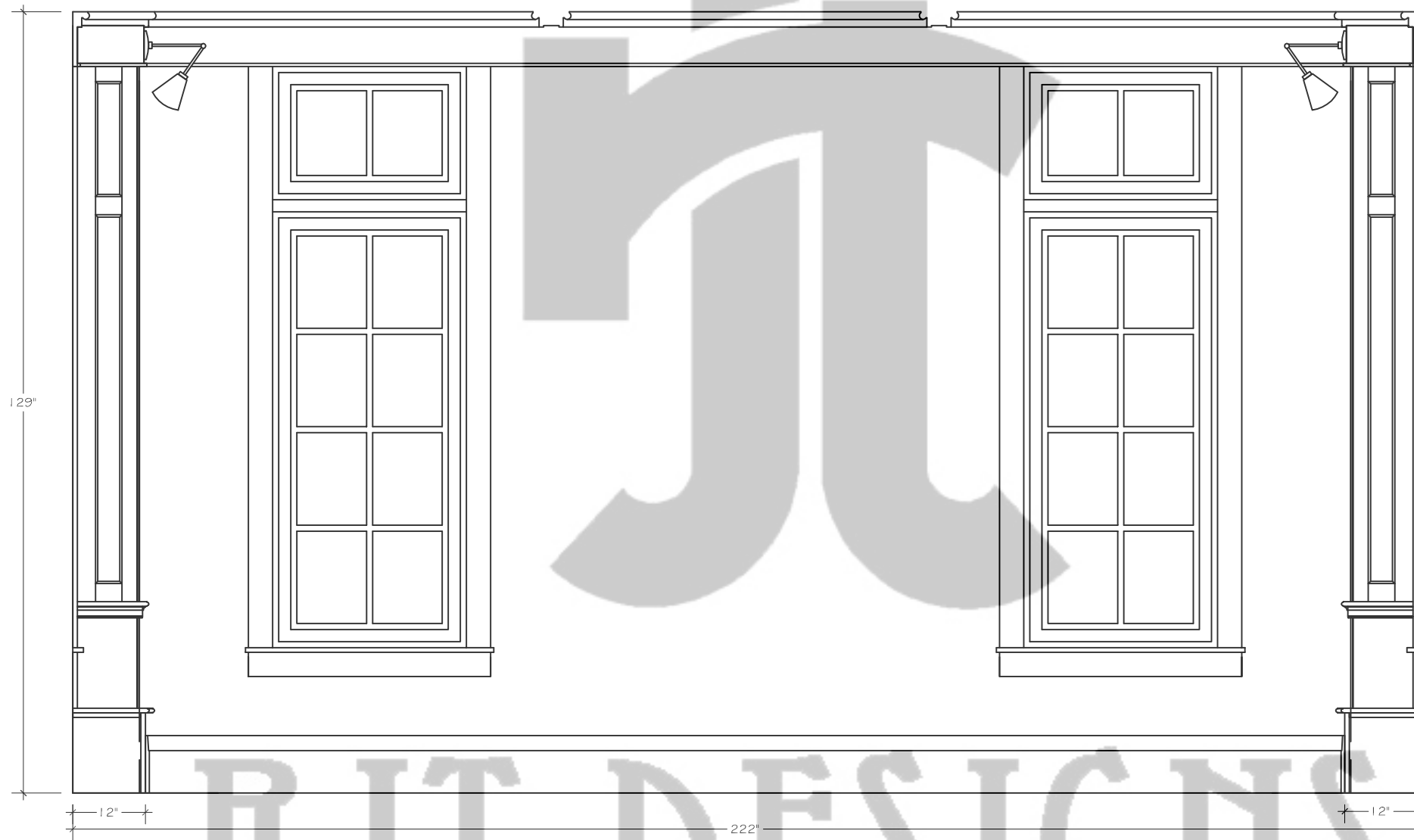
rjt designs

Architectural Drafting & Design

**Library Elevations**

Date: 1/10/08  
Revised: 1/11/08

Lib-3 Rev. 2



1 LIBRARY ELEVATION  
SCALE: 1/2" = 1'-0"

COPYRIGHT © 2010 RJT DESIGNS



rjt designs

Architectural Drafting & Design

**Library  
Elevations**

Date: 1/10/08  
Revised: 1/11/08

Lib-4 Rev.  
2